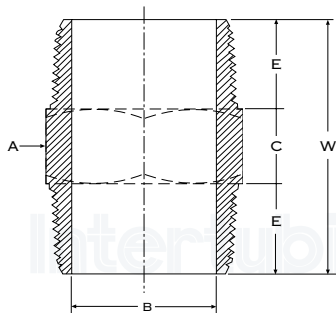


NIPPO

ANSI B16.11
3000 - 6000 LBS

HEXAGONAL NIPPLES

ANSI B16.11
3000 - 6000 LBS



Diam. nominale Nominal pipe size		A (mini)		E (mini)		C (mini)		W (mini)		b*			
inches	mm	mm	inches	mm	inches	mm	inches	mm	inches	3000		6000	
										mm	inches	mm	inches
1/8"	6	11	0.43	10	0.39	6	0.24	26	1.02	5	0.20	2	0.08
1/4"	8	15	0.59	15	0.59	6	0.24	36	1.42	8	0.31	6	0.24
3/8"	10	18	0.71	16	0.63	8	0.31	40	1.57	11	0.43	8	0.31
1/2"	15	22	0.87	20	0.79	8	0.31	48	1.89	14	0.55	11	0.43
3/4"	20	27	1.06	21	0.83	10	0.39	52	2.05	19	0.75	13	0.51
1"	25	35	1.38	25	0.98	10	0.39	60	2.36	24	0.94	17	0.67
1 1/2"	40	50	1.97	26	1.02	16	0.63	68	2.68	38	1.50	30	1.18
2"	50	62	2.44	27	1.06	17	0.67	71	2.80	49	1.93	39	1.54

(*) La dimensione «b» è nominale e soggetta alle normali tolleranze di fabbricazione.
Dimension «b» is nominal and is subject to normal MANUFACTURE tolerances.

Filettatura conforme a ANSI B 1.20.1 – Thread according to ANSI B 1.20.1